

ASSEMBLY INSTRUCTIONS

For Standard Drum set DK7500 and Junior Drum set DKJ5500

ASSEMBLING THE TOM (Figure A)

1. Take the drum head and place it on the drum shell with the logo on the drum shell facing up.
2. Take the rim and fit it on top of the drum head, so it is evenly seated around all sides. Line up the holes in the rim with the mounting lugs on the drum shell.
3. Take the washers and insert them on the tension rods. Insert the tension rods through the holes in the rim. Screw the tension rods into the lugs. Tighten the tension rods with your hands making sure the rim is even around all sides.
4. Take the drum key and tune the drum head. Always keep the head evenly seated on the drum shell. Press down in the center of the drum to stretch the head while tuning. This is to ensure the drum will not go out of tune as easily.
5. Repeat steps 1 through 4 for the bottom of the drum.

ASSEMBLING THE BASS DRUM (Figure B)

6. Take the clear batter drum head and place it on the side that is opposite the legs.
7. Take the hoop and place it on top of the drum head while making sure it is evenly seated around all sides.
8. Take the tension rods and place them through the washers and claw hooks. Line up the tension rods with the lugs and rest the claw hooks on the hoop. Hand tighten the tension rod.
9. Repeat step 8 for the remaining tension rods.
10. Take the drum key and tune the drum head. Always keep the head evenly seated on the drum shell. Press down in the center of the drum to stretch the head while tuning. This is to ensure the drum will not go out of tune as easily.
11. Turn the drum over.
12. Take the batter drum head with the logo and put it on the drum.
13. Repeat steps 7 through 10.

MOUNTING THE TOMS (Figure C)

14. Insert the long tube into the tom mount of the bass drum. Tighten the screw. Adjust the height of each tom.
15. Tighten the screw on the tom mount of the drum
16. With the joint of the tom arm, adjust the angle of the tom.
17. Tighten the locks and repeat steps 14 through 16 for the other tom.

FLOOR TOM (Figure D)

18. Place the heads and rims on the floor tom repeating steps 1 through 5.
19. Insert the long floor tom rods to raise it off the floor.

Figure A

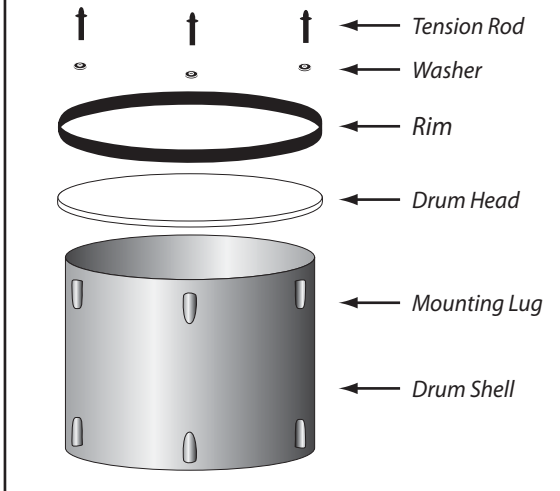


Figure B

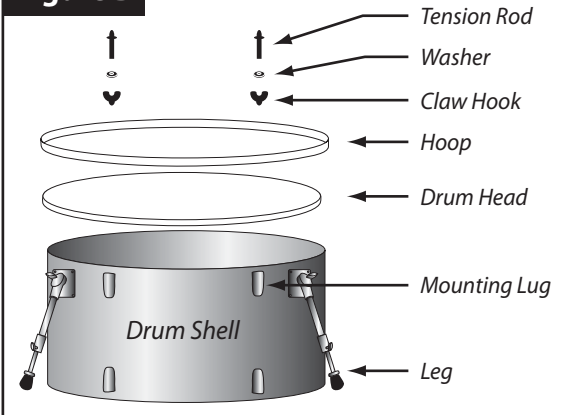


Figure C

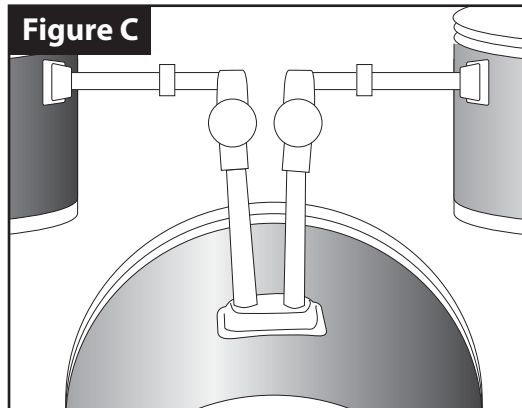
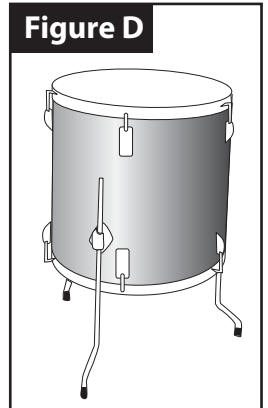


Figure D



ASSEMBLY INSTRUCTIONS

For Standard Drum set DK7500 and Junior Drum set DKJ5500

Continued from front.

ASSEMBLING THE CYMBAL (Figure E)

20. Remove the wing nut and first felt washer from the top of the cymbal stand.

21. Take the cymbal and place it on the stand.

23. Replace the felt washer and wing nut. Tighten.

HI HAT STAND (Figure F)

24. Remove clutch from pull rod.

25. Place a cymbal upside down on hi-hat seat and felt washer.

26. Unscrew the nut from the bottom of the clutch. Take off the bottom washer and felt and place the top cymbal on the clutch. Replace the felt and washer and screw the bolt back onto the clutch.

27. Replace clutch, with cymbal attached, onto the pull rod.

ASSEMBLING THE SNARE Junior Drum Set (Figure G)

28. Unfold the snare stand

29. Place the snare drum in the snare basket.

30. Adjust one of the snare arms to fit the snare drum snugly.

ASSEMBLING THE SNARE Standard Drum Set (Figure H)

31. Unfold the snare stand

32. Place the snare drum in the snare basket

33. Adjust the knob below the snare basket to fit the snare drum snugly.

ATTACHING THE DRUM PEDAL TO THE BASS DRUM (Figure I)

34. Place the base of the pedal under the bass drum hoop and make sure the clamp is over the hoop. Tighten the screw until the clamp fits securely on the hoop.

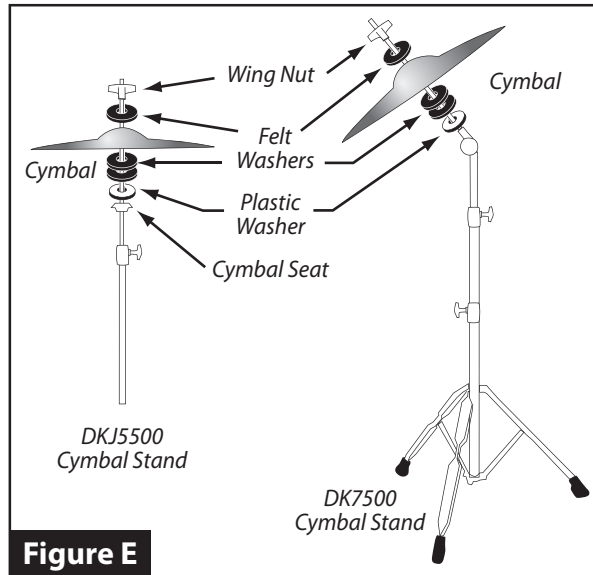


Figure E

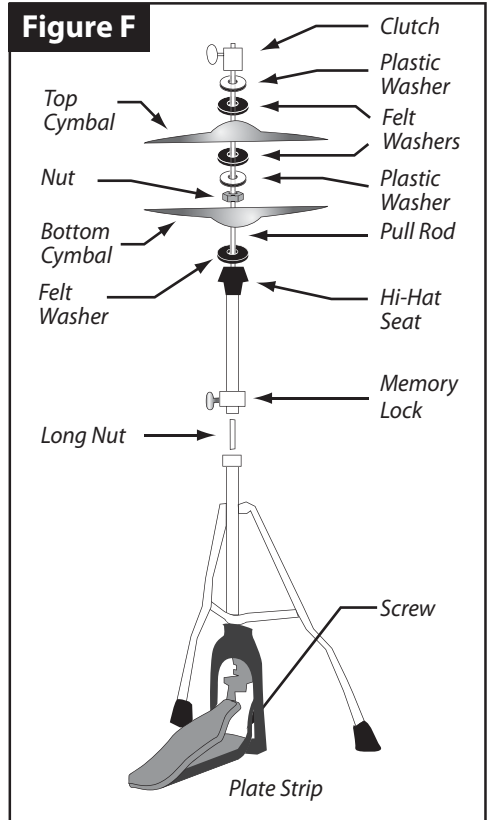


Figure F

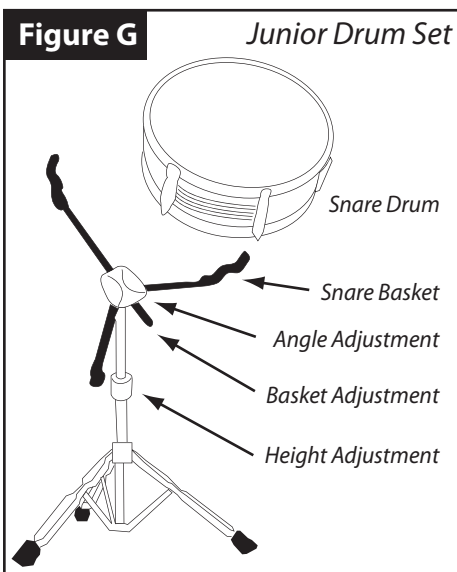


Figure G

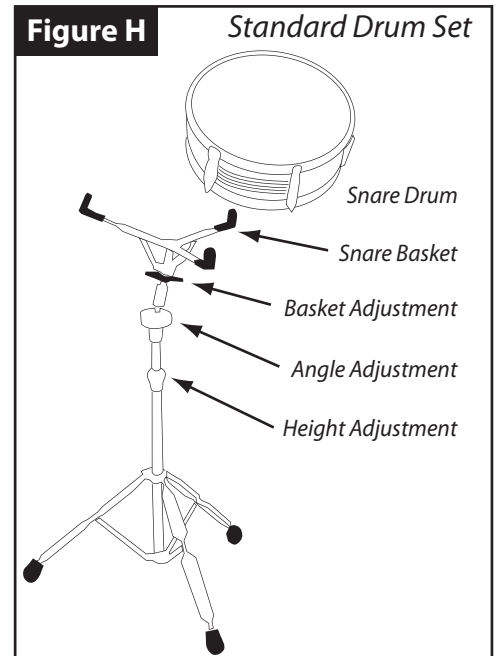


Figure H

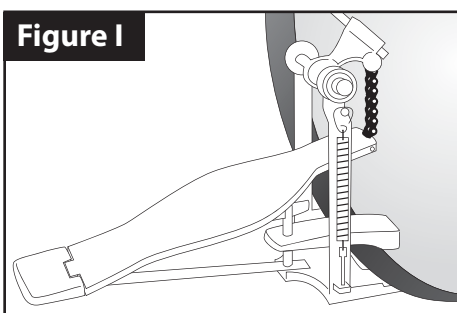


Figure I